

# Cordless Hand-Held Paint Sprayers

3A2853A  
EN

**- For portable spray applications of architectural paints and coatings only -  
- Not approved for use in explosive atmosphere locations -**



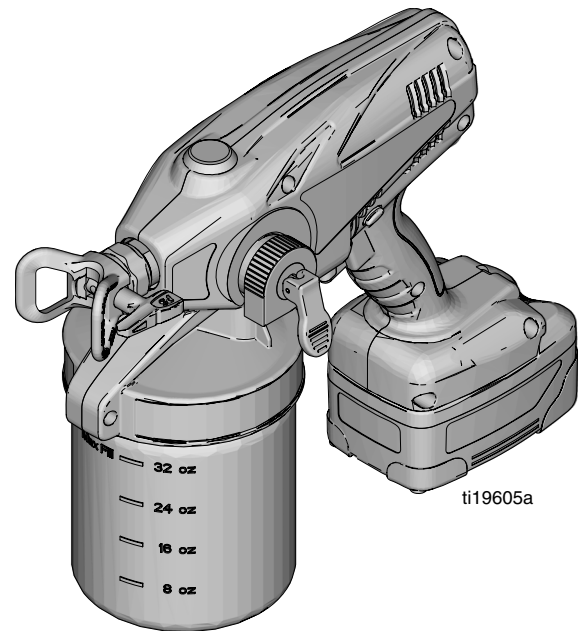
### IMPORTANT SAFETY INSTRUCTIONS

Read all warnings and instructions in this manual. Save these instructions.

### All Models:

Maximum Working Pressure 2000 psi (14 MPa, 138 bar)

Model	Charger Voltage	CE	✓
16N664	230V	✓	
16N665	110V	✓	
16N666	230V	✓	
16N668	100V		✓
16N669	230V		✓
16N670	230V		✓



## ⚠ WARNING

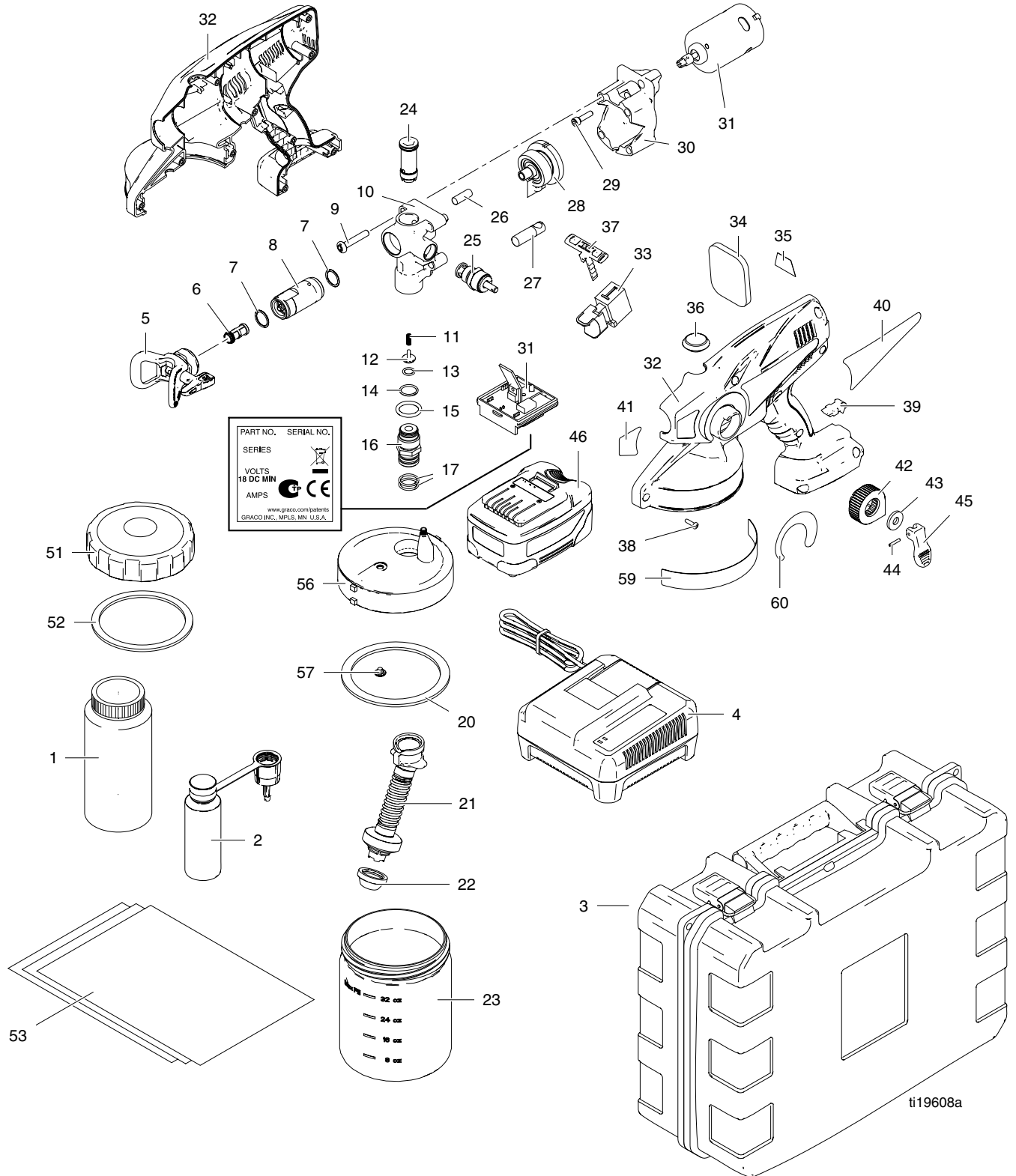


**Use only water-based materials.** Do not use materials which state "FLAMMABLE" on the packaging. For more information about your material, request MSDS from distributor or retailer.

**Spraying certain materials may cause static build-up in the sprayer that can result in static shock to the user.** If this occurs, first ensure the material has a flash point greater than 100° F (38° C) and does not state that it is FLAMMABLE anywhere on the package. If still feeling a static shock, the material likely contains a non-mineral spirits fluid such as, but not limited to, xylene, toluene, or naphtha, which can build up static. Switch to an alternative material.

# Replacement Parts

Models 16N664, 16N665, 16N666, 16N668, 16N669, 16N670



## Parts List - Models 16N664, 16N665, 16N666, 16N668, 16N669, 16N670

Ref.	If you have this model sprayer (model number is the same as the part number, which is between the battery and the sprayer)	Order Part Number:	Description
	Model 16N670	262843	Sprayer Replacement Kit: includes parts 2, 7-20, 24-45, 56, 57, 59, 60
	Models 16N664, 16N665	262845	Sprayer Replacement Kit: includes parts 2, 7-20, 24-45, 56, 57, 59, 60
	Model 16N666	262846	Sprayer Replacement Kit: includes parts 2, 7-20, 24-45, 56, 57, 59, 60
	Models 16N668, 16N669	262847	Sprayer Replacement Kit: includes parts 2, 7-20, 24-45, 56, 57, 59, 60
1	All models	243103	Pump Armor (32 oz)
2	<b>Non-Euro Models</b> 16N668,16N669,16N670	16M816	Startup/Storage Kit
	<b>Euro Models</b> 16N664, 16N665, 16N666	16P358	Startup/Storage Kit
3	<b>Blue Case Models</b> 16N668,16N669,16N670	16P458	Storage Case
	<b>Black Case Models</b> 16N664, 16N665, 16N666	16P457	Storage Case
4	100-120V Models: 16N668	16D559	Battery Charger
	230V Models: 16N664, 16N665, 16N666	16D799	Battery Charger
	230V Models: 16N669, 16N670	16G615	Battery Charger
5	All models	PST211	211 Spray Tip/Guard Assembly
	All models	PST213	213 Spray Tip/Guard Assembly
	All models	PST315	315 Spray Tip/Guard Assembly
	All models	PST411	411 Spray Tip/Guard Assembly
	All models	PST413	413 Spray Tip/Guard Assembly
	All models	PST515	515 Spray Tip/Guard Assembly
	All models	PST517	515 Spray Tip/Guard Assembly
	Models 16N664, 16N665, 16N666	PST309	309 Spray Tip/Guard Assembly
6	All models	24E376	<b>1 pack</b> Spray Tip Filter
	All models	24F039	<b>3 pack</b> Spray Tip Filter
7	All models	108195	Needle Assembly O-ring
8	All models	262437	Needle Assembly Kit: includes parts 7 (qty. 2), 8
9	All models	115478	Screw
10	All models	16M865	<b>Complete Pump Assembly</b> w/Adjustable Prime/Spray Valve: includes parts 10, 11-17, 24-28, 44
	All models	16M868	<b>Pump Housing Only:</b> includes parts 10, 26, 27, 44
11	All models	262602	Inlet valve Repair Kit; includes 11, 12, 13
12	All models	262602	Inlet valve Repair Kit; includes 11, 12, 13
13	All models	262602	Inlet valve Repair Kit; includes 11, 12, 13
14	All models	109576	O-ring
15	All models	119790	O-ring
16	All models	16P151	Inlet/Outlet Valve Repair Kit: includes parts 11-17, 24
17	All models	106553	Suction Tube O-ring
20	All models	16J731	Sprayer Cup Seal
21	All models	16P121	Flexible Suction Tube Kit: includes parts 17 (qty. 2), 21, 22
22	All models	16N522	Flexible Suction Tube Strainer
23	All models	16D560	<b>32 oz</b> Material Cup: includes parts 23, 51, 52
		16D561	<b>48 oz</b> Material Cup: includes parts 23, 51, 52
24	All models	16P151	Inlet/Outlet Valve Repair Kit: includes parts 11-17, 24
25	All models	16M873	Adjustable Prime/Spray Valve Repair Kit: includes 25, 42-45
26	All models	16M865	<b>Complete Pump Assembly</b> w/Adjustable Prime/Spray Valve: includes parts 10, 11-17, 24-28, 44
	All models	16M868	<b>Pump Housing Only:</b> includes parts 10, 26, 27, 44
27	All models	16M865	<b>Complete Pump Assembly</b> w/Adjustable Prime/Spray Valve: includes parts 10, 11-17, 24-28, 44
	All models	16M868	<b>Pump Housing Only:</b> includes parts 10, 26, 27, 44

(Parts List continues on next page)

**Parts List - Models 16N664, 16N665, 16N666, 16N668, 16N669, 16N670 (Continued)**

Ref.	If you have this model sprayer (model number is the same as the part number, which is between the battery and the sprayer)	Order Part Number:	Description
28	All models	16M863	Reciprocator Assembly Kit: includes parts 28, 44
29	All models	108326	Motor Mount Screw
30	All models	16M924	Drive Housing Assembly Kit: includes parts 9 (qty. 4), 29 (qty. 2), 30, 44
31	All models	16M861	Motor/Control Board Kit: includes parts 29, 31, 33, 34, 44
32	Models 16N668, 16N669, 16N670	16P461	Enclosure Replacement Kit: includes parts 32, 34-37, 38 (qty. 10), 39, 44, 56, 57
	Models 16N664, 16N665, 16N666	16P462	Enclosure Replacement Kit: includes parts 32, 34-37, 38 (qty. 10), 39, 44, 56, 57
33	All models	16N928	Switch Kit: includes parts 33, 34
34	Models 16N668, 16N669, 16N670	16P461	Enclosure Replacement Kit: includes parts 32, 34-37, 38 (qty. 10), 39, 44, 56, 57
	Models 16N664, 16N665, 16N666	16P462	Enclosure Replacement Kit: includes parts 32, 34-37, 38 (qty. 10), 39, 44, 56, 57
35	Models 16N668, 16N669, 16N670	16E859	Made in USA Label
	Models 16N664, 16N665, 16N666	16F636	Made in USA Label
36	All models	16C936	Outlet Valve Access Plug
37	Models 16N668, 16N669, 16N670	16P461	Enclosure Replacement Kit: includes parts 32, 34-37, 38 (qty. 10), 39, 44, 56, 57
	Models 16N664, 16N665, 16N666	16P462	Enclosure Replacement Kit: includes parts 32, 34-37, 38 (qty. 10), 39, 44, 56, 57
38	All models	119236	Enclosure Screw
39	Models 16N668, 16N669, 16N670	16P461	Enclosure Replacement Kit: includes parts 32, 34-37, 38 (qty. 10), 39, 44, 56, 57
	Models 16N664, 16N665, 16N666	16P462	Enclosure Replacement Kit: includes parts 32, 34-37, 38 (qty. 10), 39, 44, 56, 57
40	Model 16N670	16N556	Side Brand Label
	Models 16N664, 16N665	16P157	Side Brand Label
	Models 16N668, 16N669	16P159	Side Brand Label
41	All models	16R890	Front Brand Label
42	All models	16M873	Adjustable Prime/Spray Valve Repair Kit: includes parts 25, 42-45
43	All models	16M873	Adjustable Prime/Spray Valve Repair Kit: includes parts 25, 42-45
44	All models	119956	Pin
45	All models	262604	Prime Valve Handle: includes parts 44, 45
46	All models	16D558	Battery
51	All models	24D425	Material Cup Cover: includes parts 51, 52
52	All models	16C650	Seal for Material Cup
53	All models	16D562	Cup Liner Replacement (10 pack)
56	Models 16N668, 16N669, 16N670	16P461	Enclosure Replacement Kit: includes parts 32, 34-37, 38 (qty. 10), 39, 44, 56, 57
	Models 16N664, 16N665, 16N666	16P462	Enclosure Replacement Kit: includes parts 32, 34-37, 38 (qty. 10), 39, 44, 56, 57
57	All models	16M890	Air Vent Valve
59	Models 16N664, 16N665, 16N668, 16N669, 16N670	16R891	Cup Lip Brand Label
60	All models	16R889	Pressure Control Label
Not Shown	All Models	▲16P459	Warning Labels Replacement Kits ENG/FRE/SPA
	All Models	▲16P002	Warning Labels Replacement Kits CHI/JAP/KOR
	All Models	▲16P003	Warning Labels Replacement Kits SPA/POR/ITA
Not Shown	Models 16N664, 16N665, 16N666	▲16P207	Sprayer Enclosure Warning Label Kit
	Models 16N664, 16N665, 16N666	▲24E552	Battery Warning Label Kit
	Models 16N664, 16N665, 16N666	▲24E553	Charger Warning Label Kit

▲ Replacement Danger and Warning labels, tags, and cards (Not Shown) are available at no cost.